

Revolution Custom Cylinder Order Form

We accept all major credit cards and will work hard to ship your order as expeditiously as possible. We can be reached at (888) 779-6885.

Fill out this chart completely to send with your parts.

- 1) Package your parts carefully! Parts with any kind of an oil residue should be sealed inside a tightly closed plastic bag. If you don't have bubble wrap handy, newspapers and cardboard make terrific protection. Heads and cylinders are particularly vulnerable due to the fragility of the cooling fins; we highly recommend that you wrap them individually and double box as needed with at least a couple inches of padding separating the boxes.
- 2) Our published prices are based on an assumption that parts being sent to us are unmodified and in serviceable condition. If you send us parts that we cannot work with and stand behind our work, we will be forced to decline the job and return the parts at your expense. If you have any questions, please call before shipping your parts.
- 3) It is VERY important that you include ALL of the following information on this form enclosed in the box with any parts shipped to us. Please do not rely on the memory of the performance consultant you spoke with on the phone!
 - Your name, address, daytime phone number, and method of payment
 - Parts enclosed and a notation of any known damage such as broken fins
 - Year, make, & model of the bike that the parts are from
 - A complete list of other modifications to the bike (include bore & stroke if non-stock)
 - Description of services requested – include part numbers where applicable
 - Return shipping method (ground, 2-day, overnight) or date needed by

Name: _____

Address: _____

City: _____ State: _____ Zip Code: _____

Daytime phone number: _____

Payment method: Personal Check Credit Card
 Visa Master Card American Express

Card number: _____ Expiration Date: _____

Parts enclosed and known damage: _____

Bike year: _____ make: _____ model: _____

Other modifications to bike (include bore & stroke if non-stock): _____

Services requested (include part numbers where applicable): _____

Return shipping: ground 2-day overnight

Date needed by: _____

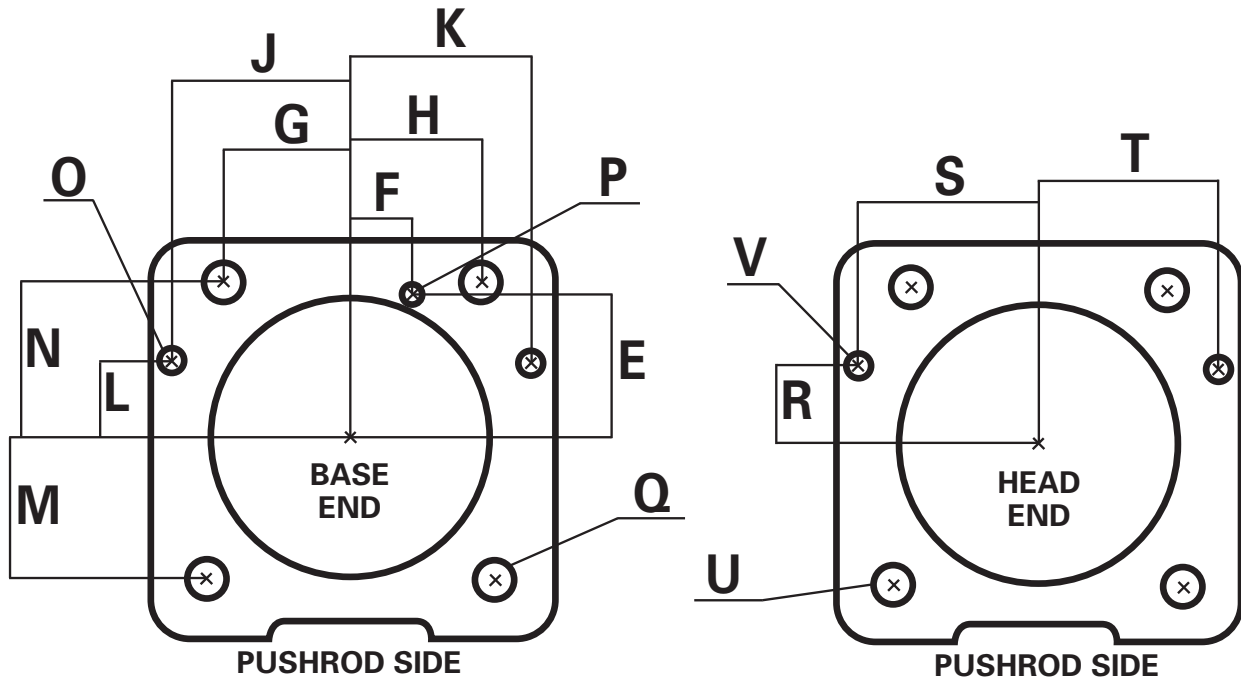
Notes: _____



Exit the Ordinary.

1312 Pilgrim Road, Plymouth, WI 53073 phone: 920-892-2109 fax: 920-892-2206 email: info@revperf.com

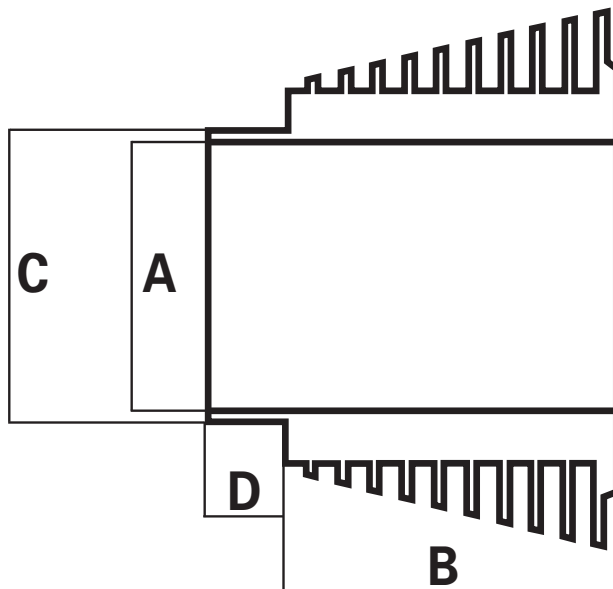
Revolution Custom Cylinder Order Form



E	
F	
G	
H	
J	
K	
L	

M		
N		
O	Hole Diameter	
	Counter Bore Dia. & Depth	
P	Hole Diameter	
Q	Hole Diameter	
	Counter Bore Dia. & Depth	

R		
S		
T		
U	Hole Diameter	
	Counter Bore Dia. & Depth	
V	Hole Diameter	
	Counter Bore Dia. & Depth	



A	Bore Diameter	
B	Cylinder Height	
C	Bezel Diameter	
D	Bezel Length	